

PRODUCT SPECIFICATIONS

**SUPERMINICRAWLER CRANE
MC-305C**

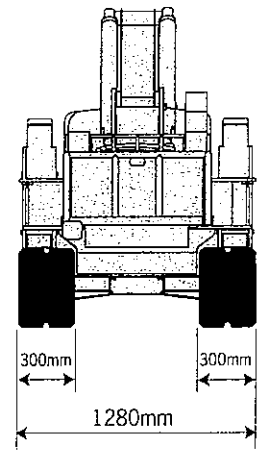
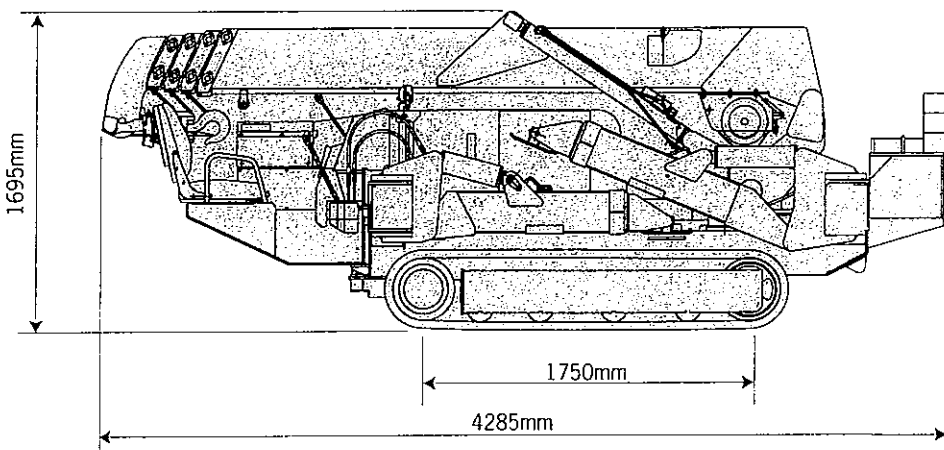
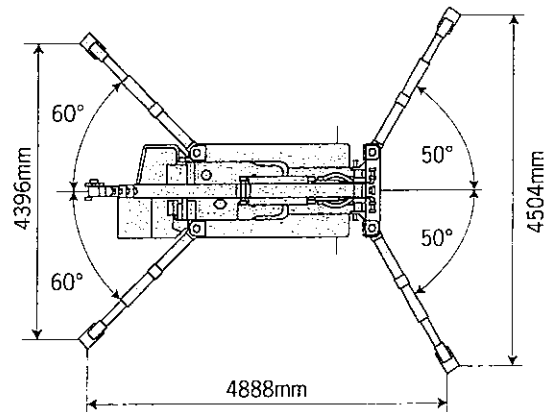
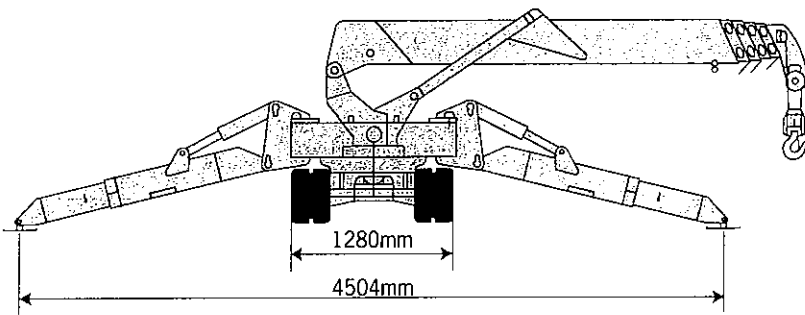
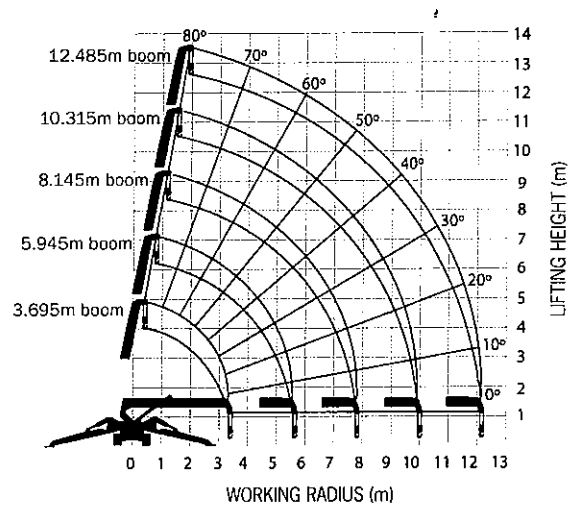
SUPERIOR LIFTING CAPACITY
AVAILABLE WITH SEARCHER HOOK

DIMENSIONS

LENGTH 4285mm
WIDTH 1280mm
HEIGHT 1695mm
WEIGHT 3770kg

LIFTING CAPACITY

2930kg at 2.5m
250kg at 12.1m



TOTAL RATED LOAD (OUTRIGGERS AT MAXIMUM POSITION)

| 5.945m BOOM | | 8.145m BOOM | | 10.315m BOOM | | 12.485m BOOM | |
|--------------------|-----------------------|--------------------|-----------------------|--------------------|-----------------------|--------------------|-----------------------|
| WORKING RADIUS (m) | TOTAL RATED LOAD (kg) | WORKING RADIUS (m) | TOTAL RATED LOAD (kg) | WORKING RADIUS (m) | TOTAL RATED LOAD (kg) | WORKING RADIUS (m) | TOTAL RATED LOAD (kg) |
| <2.5 | 2930 | 2.7 | 2270 | 4.0 | 1060 | <4.5 | 775 |
| 3.0 | 2350 | 3.0 | 2090 | 4.5 | 950 | 5.0 | 640 |
| 3.5 | 1950 | 3.5 | 1680 | 5.0 | 860 | 6.0 | 495 |
| 4.0 | 1670 | 4.0 | 1415 | 6.0 | 750 | 7.0 | 410 |
| 4.5 | 1450 | 4.5 | 1230 | 7.0 | 645 | 8.0 | 360 |
| 5.0 | 1300 | 5.0 | 1070 | 8.0 | 540 | 9.0 | 320 |
| 5.62 | 1120 | 5.5 | 950 | 9.0 | 490 | 10.0 | 290 |
| | | 6.0 | 855 | 9.99 | 415 | 11.0 | 260 |
| | | 7.0 | 700 | | | 12.16 | 250 |
| | | 7.82 | 610 | | | | |

TOTAL RATED LOAD (OUTRIGGERS AT INTERMEDIATE POSITION)

| 5.945m BOOM | | 8.145m BOOM | | 10.315m BOOM | | 12.485m BOOM | |
|--------------------|-----------------------|--------------------|-----------------------|--------------------|-----------------------|--------------------|-----------------------|
| WORKING RADIUS (m) | TOTAL RATED LOAD (kg) | WORKING RADIUS (m) | TOTAL RATED LOAD (kg) | WORKING RADIUS (m) | TOTAL RATED LOAD (kg) | WORKING RADIUS (m) | TOTAL RATED LOAD (kg) |
| <2.5 | 2930 | 2.7 | 2270 | 4.0 | 1060 | <4.5 | 775 |
| 3.0 | 2350 | 3.0 | 2090 | 4.5 | 950 | 5.0 | 640 |
| 3.5 | 1950 | 3.5 | 1680 | 5.0 | 860 | 6.0 | 495 |
| 4.0 | 1670 | 4.0 | 1415 | 6.0 | 750 | 7.0 | 410 |
| 4.5 | 1380 | 4.5 | 1230 | 7.0 | 630 | 8.0 | 360 |
| 5.0 | 1140 | 5.0 | 1070 | 8.0 | 490 | 9.0 | 320 |
| 5.62 | 950 | 5.5 | 945 | 9.0 | 410 | 10.0 | 290 |
| | | 6.0 | 790 | 9.99 | 350 | 11.0 | 260 |
| | | 7.0 | 610 | | | 12.16 | 250 |
| | | 7.82 | 520 | | | | |

TOTAL RATED LOAD (OUTRIGGERS AT MINIMUM POSITION)

| 5.945m BOOM | | 8.145m BOOM | | 10.315m BOOM | | 12.485m BOOM | |
|--------------------|-----------------------|--------------------|-----------------------|--------------------|-----------------------|--------------------|-----------------------|
| WORKING RADIUS (m) | TOTAL RATED LOAD (kg) | WORKING RADIUS (m) | TOTAL RATED LOAD (kg) | WORKING RADIUS (m) | TOTAL RATED LOAD (kg) | WORKING RADIUS (m) | TOTAL RATED LOAD (kg) |
| <2.5 | 2930 | 2.7 | 2270 | 4.0 | 1060 | <4.5 | 775 |
| 3.0 | 2350 | 3.0 | 2090 | 4.5 | 950 | 5.0 | 640 |
| 3.5 | 1800 | 3.5 | 1680 | 5.0 | 860 | 6.0 | 495 |
| 4.0 | 1430 | 4.0 | 1370 | 6.0 | 680 | 7.0 | 410 |
| 4.5 | 1140 | 4.5 | 1120 | 7.0 | 530 | 8.0 | 360 |
| 5.0 | 950 | 5.0 | 910 | 8.0 | 420 | 9.0 | 320 |
| 5.62 | 790 | 5.5 | 790 | 9.0 | 340 | 10.0 | 290 |
| | | 6.0 | 670 | 9.99 | 300 | 11.0 | 240 |
| | | 7.0 | 510 | | | 12.16 | 210 |
| | | 7.82 | 430 | | | | |

OUTRIGGER REACTION FORCE CALCULATION

| DEGREES | WORKING RADIUS LIFTING LOAD | | BOOM STAGE EXTENDED OUTRIGGERS | |
|-----------------|-----------------------------|-------------|--------------------------------|-------------|
| | 2500mm | 2930kg | 2 SECTION | MAX |
| | FRONT RIGHT | FRONT LEFT | REAR LEFT | REAR RIGHT |
| 0 | 1024 | 1024 | 3009 | 3009 |
| 5 | 1055 | 1002 | 2832 | 3179 |
| 10 | 1096 | 985 | 2651 | 3337 |
| 15 | 1147 | 972 | 2468 | 3480 |
| 20 | 1212 | 962 | 2288 | 3606 |
| 25 | 1291 | 952 | 2113 | 3712 |
| 30 | 1384 | 942 | 1946 | 3796 |
| 35 | 1493 | 930 | 1790 | 3855 |
| 40 | 1618 | 916 | 1646 | 3888 |
| 45 | 1757 | 898 | 1517 | 3895 |
| 50 | 1911 | 878 | 1404 | 3875 |
| 55 | 2077 | 855 | 1307 | 3829 |
| 60 | 2254 | 831 | 1226 | 3757 |
| 65 | 2440 | 805 | 1162 | 3661 |
| 70 | 2632 | 780 | 1112 | 3544 |
| 75 | 2827 | 757 | 1078 | 3406 |
| 80 | 3022 | 738 | 1056 | 3252 |
| 85 | 3214 | 725 | 1045 | 3083 |
| 90 | 3400 | 720 | 1043 | 2904 |
| 95 | 3575 | 726 | 1049 | 2718 |
| 100 | 3736 | 744 | 1059 | 2529 |
| 105 | 3881 | 775 | 1072 | 2339 |
| 110 | 4006 | 823 | 1086 | 2153 |
| 115 | 4109 | 887 | 1099 | 1973 |
| 120 | 4187 | 969 | 1110 | 1802 |
| 125 | 4238 | 1070 | 1116 | 1643 |
| 130 | 4262 | 1190 | 1118 | 1498 |
| 135 | 4258 | 1327 | 1114 | 1369 |
| 140 | 4225 | 1482 | 1105 | 1256 |
| 145 | 4164 | 1653 | 1090 | 1161 |
| 150 | 4075 | 1839 | 1071 | 1083 |
| 155 | 3962 | 2036 | 1048 | 1022 |
| 160 | 3824 | 2242 | 1023 | 978 |
| 165 | 3666 | 2455 | 998 | 949 |
| 170 | 3490 | 2670 | 974 | 934 |
| 175 | 3299 | 2885 | 953 | 931 |
| 180 | 3096 | 3096 | 938 | 938 |
| MAX (kg) | 4262 | 3096 | 3009 | 3895 |

The total rated load charts are based on the actual working radius including boom deflection.

CONTACT PRESTON TODAY ON:

T 1800 440 550

PRESTONGROUP.COM.AU